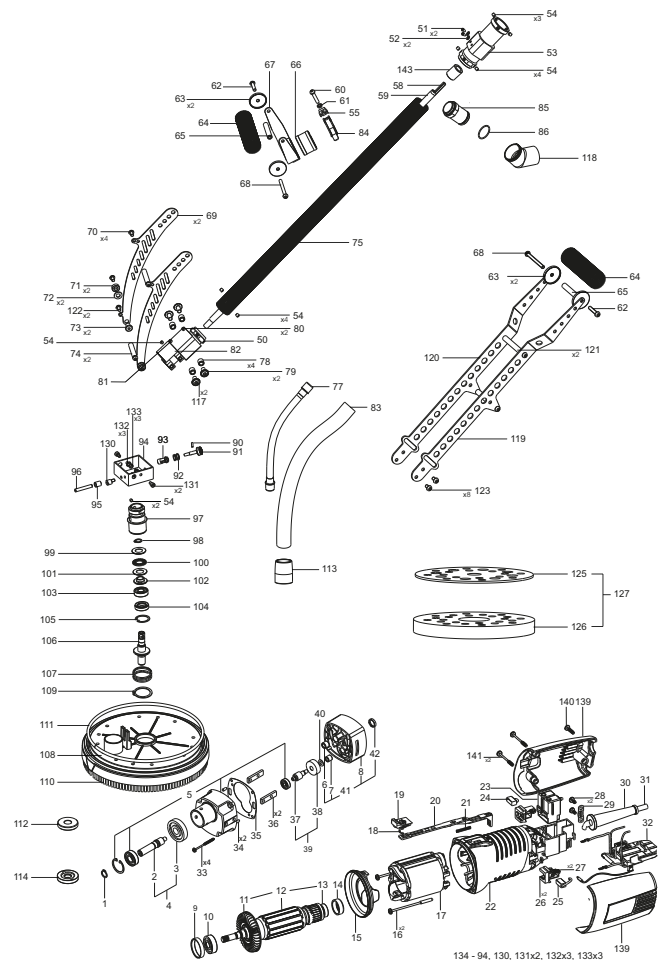


POS. No.	Ref.No.	Description
	1	330483 Circlip B12
	2	154845 Spindle
	3	154846 Spindle gear
	4	154856 Spindle set
till 27.Sep.2012	- 5	141750 Gear box set HD
	5	143195 Gear box set HD RED
	6	933756 Bearing HK0709
	7	330119 Bearing HK0609
	8	141753 Bearing shield HD
	9	156574 Bush
	10	330269 Bearing 629-2Z P63 LDS 18
	11	152579 Fan
	12	159621 Armature set HD
	13	331509 Bearing 626 2RSL
	14	129087 Elastic sleeve
	15	157310 Diffuser L 40
	16	361426 Screw 3,9x53
till 11.Dec.2016	- 17	159675 Stator set Φ35HD
	17	148549 Stator set
	18	157990 Spring
	19	157301 Button
	20	157303 Guiding switch lever S
till 21.Jan.2013	- 21	131214 Pressure spring 0,5x4x25
	21	146782 Pressure spring 0,4x4x25
	22	157293 Body L40
	23	102100 Switch PS8
	24	129092 Brush
till 29.Jun.2011	- 25	153548 Switch APB-2114 Defond
	25	129093 Brush with a switch
till 16.Mar.2014	- 26	129082 Brush holder set
	26	142187 Brush holder set
	27	254364 Spiral spring
	28	361360 Screw K 4X9.5 TORX 20
	29	256500 Cord clamp
	30	152759 Cord protector
	31	158699 Cord with a plug RAL 3020
	32	159676 Electronic block HD
	33	361404 Screw K4X50 TORX 20
	34	115865 Pin
	35	154851 Gasket
	36	154852 Plate
	37	154847 Gear shaft
	38	156577 Large intermediate gear set
	39	157860 Gear shaft set
	40	154850 Washer
till 27.Sep.2012	- 41	141752 Bearing shield set HD
	41	143196 Bearing shield set HD/GR/RED
	42	330641 Gasket 12x16x3
	50	155254 Console
	51	361280 Screw M 4x6
	52	361277 Washer 1-M4
	53	179620 Adaptor
	54	361273 Screw M6X6 DIN 913
	55	151272 Strip
	58	155219 Shaft L650
	59	155222 INNER PROTECTIVE PIPE SET L 260
	60	361288 Screw M 6x30 ISO7380
	61	179649 Washer
	62	361288 Screw M 6x30 ISO7380
	63	179613 Stopple
	64	179611 Pipe
	65	179614 Bush
	66	179645 Bush
	67	179647 Handle set
	68	361269 Screw M 6x60 ISO7380
	69	156569 Support
	70	361271 Screw M 6x16 ISO7380
	71	179609 Spacer washer
	72	179610 Washer
	73	361267 Special nut M6
	74	179614 Bush
	75	156551 Pipe L185
	77	179630 OUTER PROTECTIVE PIPE SET
	78	155246 Space bush
	79	361320 Screw M 8x20 FABORY 07141080025 M Zn A3A
	80	361291 Screw C1-M4x30
	81	361294 Screw C1-M4x35
	82	155255 Adaptor
	83	155293 Hose L400
	84	179674 Lever set
	85	179658 Adaptor
	86	330330 O-ring 31X2B
	90	361136 Pin Φ3x8 DIN7343
	91	179644 Lock button
	92	115165 Spring
	93	179642 Bearing Bushing
	94	155287 Console
	95	179625 Space bush
	96	361265 Screw M6X42 DIN 427
	97	179652 Enclosure
	98	330483 Circlip B12

POS. No.	Ref.No.	Description
	99	331319 Washer AS1528
	100	331318 Bearing AXK 1528
	101	331319 Washer AS1528
	102	179641 Space bush
	103	330820 Bearing 2RSR
	104	330608 Gasket AS15x28x7 NBR
	105	330588 Circlip A28
	106	155258 Spindle
	107	179628 Spring
	108	155285 Protective cover Φ220
	109	330486 Circlip B35
	110	155294 Brush
	111	155295 Gasket
	112	155296 Collar
	113	156570 Bush
	114	121838 Locking nut
	117	361319 Screw M 8x20 FABORY 07141080020 M Zn A3A
	118	184121 Dust Extraction Adaptor
	119	155985 Holder
	120	155983 Holder
	121	179667 Bush
	122	361323 Screw M 6x8 ISO7380
	123	361272 Screw M 6x10 ISO7380
	125	155989 Disk
	126	179741 Disk
	127	155991 Disks set 200mm
	130	141966 Depth gauge
	131	361360 Screw K 4X9.5 TORX 20
	132	360078 Spring washer 5H
	133	361353 Nuf M5 ISO 10511 Zn
	134	159541 Service pack
	139	157295 Couple cover set
	140	361328 Screw K4x18 TORX 20
	141	361367 Screw K 4X37/25 TORX 20
till 19.Jan.2016	- 142	116757 Rubber bush
	143	158462 Bush



143456

143458